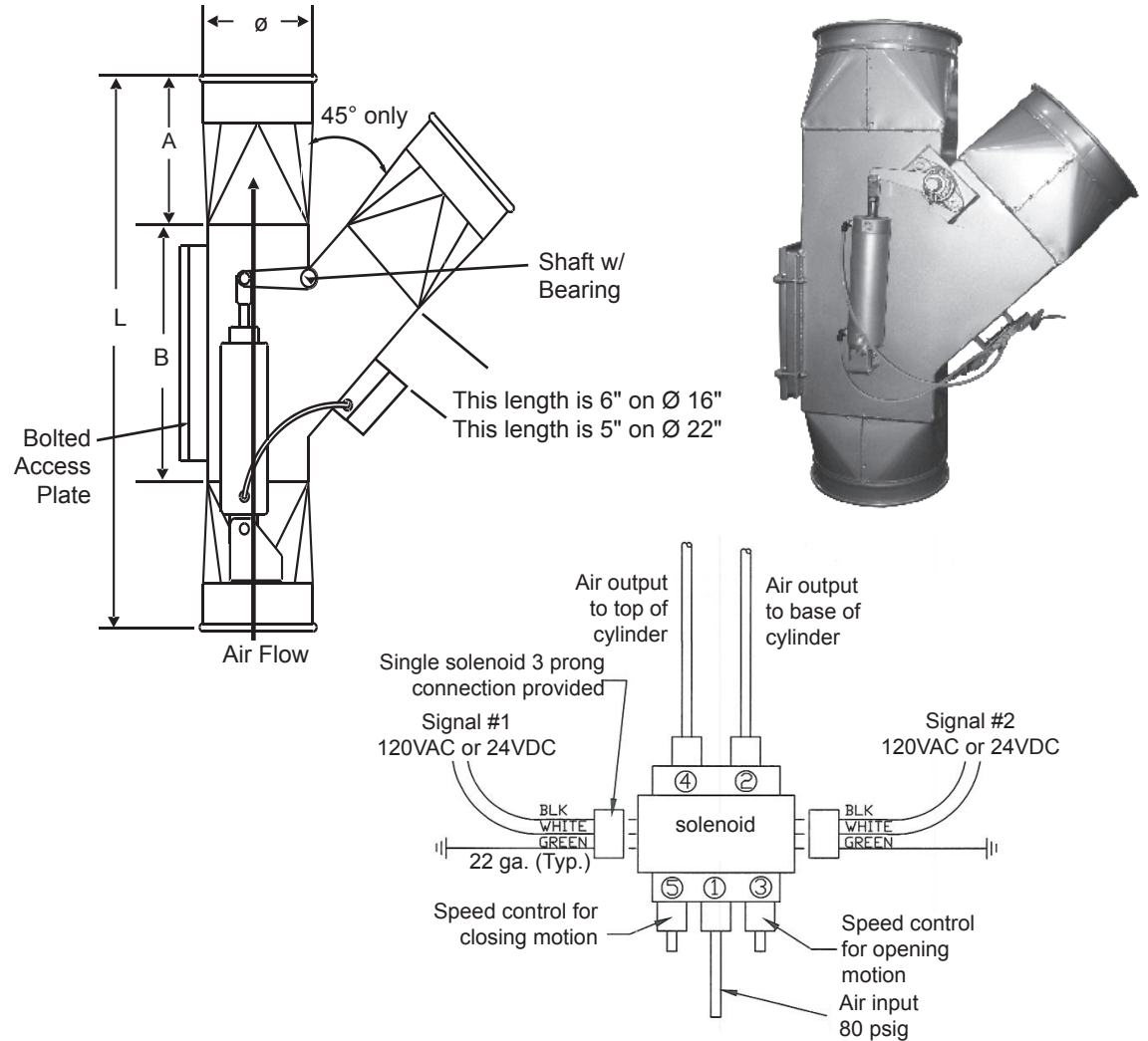


# Automatic Diverter Valve 3236

Size Ø In.	A (in.)	B (in.)	D (in.)	L (in.)	Housing Black Metal	Housing 304SS
					3/16" thick	3/16" thick
3	6	14	3	26	Std	Std
4	6	14	4	26		
5	6	15.25	5	27.25		
6	6	16	6	28		
7	6	16	7	28		
8	6	17	8	29		
9	8	18	9	34		
10	8	20	10	36		
11	8	20	11	36		
12	8	24	12	40		
13	8	24	13	40		
14	8	28	14	44		
15	8	28	15	44		
16	8	32	16	48		
17	8	32	17	48		
18	8	36	18	52		
20	10	40	20	60		
22	10	41.25	22	61.25		
24	10	48	24	68		



**Construction:**

Constructed of heavy 3/16" thick, painted metal, with welded seams. Supplied with heavy duty flange bearings and rubber seal in 14ga steel door. Rubber seal is 1/4" thick polymer compound #AB-3205.

**Ends:** Standard QF end can be changed to Raw ID (RAWID), Raw OD (RAWOD), No Fitting (NF), Hose Adapter (RAWFLEX), Flat Flange (FFL), Angle Flange (ANGFL), or Van Stone (VANSTONE)

**Airflow:** Can be reversed in fabrication upon request.

# Automatic Diverter Valve 3236

Temperature Rating of Product Components							Compliance / Rating of Product Components																			
° F	QF Auto Diverter Valve		Rubber	Sealant			Product	Material	Compliance / Rating																	
1100°	Black Metal painted	Optional - 304SS	Polymer SBR/CR	3M Scotch Seal Metal Sealant 2084	Optional - Rock River Silicone Sealant	Optional - Red Devil HVAC/R High Temperature Silicone Sealant	Automatic Diverter Valve	Black Metal	ASTM A36																	
500°									304SS	Finish meets ASTM A240																
250°									316SS	Finish meets ASTM A240																
212°								<b>Additional Notes</b> Rock River Silicone Sealant and Red Devil HVAC/R High Temperature Silicone Sealant are not paintable																		
0°																										
-40°																										
-82°																										
304SS: bluing may occur at 800° F and above																										
Additional Product Components and Notes																										
Poly tube		0.25" OD x 0.04 wall poly tube, 120 PSI, Grade E5 LIP, Type 1																								
Roller Bearing		<table border="1"> <thead> <tr> <th>Diverter Valve Size</th> <th>Mfr. Part No. (Powerite)</th> </tr> </thead> <tbody> <tr> <td>4" - 6"</td> <td>UCFL 204-12</td> </tr> <tr> <td>7" - 16"</td> <td>UCFL 205-16</td> </tr> <tr> <td>18" - 24"</td> <td>UCFL 206-20</td> </tr> </tbody> </table>		Diverter Valve Size	Mfr. Part No. (Powerite)	4" - 6"	UCFL 204-12	7" - 16"	UCFL 205-16	18" - 24"	UCFL 206-20															
Diverter Valve Size	Mfr. Part No. (Powerite)																									
4" - 6"	UCFL 204-12																									
7" - 16"	UCFL 205-16																									
18" - 24"	UCFL 206-20																									
Magnetic Cylinder		<table border="1"> <thead> <tr> <th>Diverter Valve Size</th> <th>Replacement Part No.</th> <th>Stroke</th> <th>No. of Cylinders</th> <th>Bore</th> </tr> </thead> <tbody> <tr> <td>3" - 8"</td> <td>3203-0000-CY040M</td> <td>2.25 x 4.00</td> <td rowspan="4">1</td> <td rowspan="4">2.5"</td> </tr> <tr> <td>9" - 12"</td> <td>3203-0000-CY060M</td> <td>2.25 x 6.00</td> </tr> <tr> <td>13" - 16"</td> <td>3203-0000-CY080M</td> <td>2.25 x 8.00</td> </tr> <tr> <td>17" - 24"</td> <td>3203-0000-CY100M</td> <td>2.25 x 10.00</td> </tr> </tbody> </table>		Diverter Valve Size	Replacement Part No.	Stroke	No. of Cylinders	Bore	3" - 8"	3203-0000-CY040M	2.25 x 4.00	1	2.5"	9" - 12"	3203-0000-CY060M	2.25 x 6.00	13" - 16"	3203-0000-CY080M	2.25 x 8.00	17" - 24"	3203-0000-CY100M	2.25 x 10.00				
Diverter Valve Size	Replacement Part No.	Stroke	No. of Cylinders	Bore																						
3" - 8"	3203-0000-CY040M	2.25 x 4.00	1	2.5"																						
9" - 12"	3203-0000-CY060M	2.25 x 6.00																								
13" - 16"	3203-0000-CY080M	2.25 x 8.00																								
17" - 24"	3203-0000-CY100M	2.25 x 10.00																								
Double Solenoid		<table border="1"> <thead> <tr> <th>Replacement Part No.</th> <th>Description</th> </tr> </thead> <tbody> <tr> <td>3236-SOLE-KIT003</td> <td>2 position, 110VAC, 2.5 watts, 1/8" NPT</td> </tr> <tr> <td>3236-SOLE-KIT006</td> <td>2 position, 24VDC, .35 watts, 1/8" NPT</td> </tr> </tbody> </table>		Replacement Part No.	Description	3236-SOLE-KIT003	2 position, 110VAC, 2.5 watts, 1/8" NPT	3236-SOLE-KIT006	2 position, 24VDC, .35 watts, 1/8" NPT	• IP65 Rated																
Replacement Part No.	Description																									
3236-SOLE-KIT003	2 position, 110VAC, 2.5 watts, 1/8" NPT																									
3236-SOLE-KIT006	2 position, 24VDC, .35 watts, 1/8" NPT																									
Coil		<table border="1"> <thead> <tr> <th>Replacement Part No.</th> <th>Description</th> </tr> </thead> <tbody> <tr> <td>3245-COIL-024DCC</td> <td>24VDC</td> </tr> <tr> <td>3245-COIL-024ACC</td> <td>24VAC</td> </tr> <tr> <td>3245-COIL-024ACC</td> <td>12VDC</td> </tr> <tr> <td>3245-COIL-024ACC</td> <td>240VAX</td> </tr> <tr> <td>3245-COIL-024ACC</td> <td>110VAC</td> </tr> </tbody> </table>		Replacement Part No.	Description	3245-COIL-024DCC	24VDC	3245-COIL-024ACC	24VAC	3245-COIL-024ACC	12VDC	3245-COIL-024ACC	240VAX	3245-COIL-024ACC	110VAC											
Replacement Part No.	Description																									
3245-COIL-024DCC	24VDC																									
3245-COIL-024ACC	24VAC																									
3245-COIL-024ACC	12VDC																									
3245-COIL-024ACC	240VAX																									
3245-COIL-024ACC	110VAC																									
Optional - Reed Switch Assembly 2.50		<table border="1"> <thead> <tr> <th>Replacement Part No.</th> <th>Description</th> </tr> </thead> <tbody> <tr> <td>3203-0000-RSW250</td> <td>Assembly includes two D-B54 switches and 2.50" band</td> </tr> </tbody> </table>		Replacement Part No.	Description	3203-0000-RSW250	Assembly includes two D-B54 switches and 2.50" band																			
Replacement Part No.	Description																									
3203-0000-RSW250	Assembly includes two D-B54 switches and 2.50" band																									