

# Manual Blast Gate, Galvanized Steel 3240

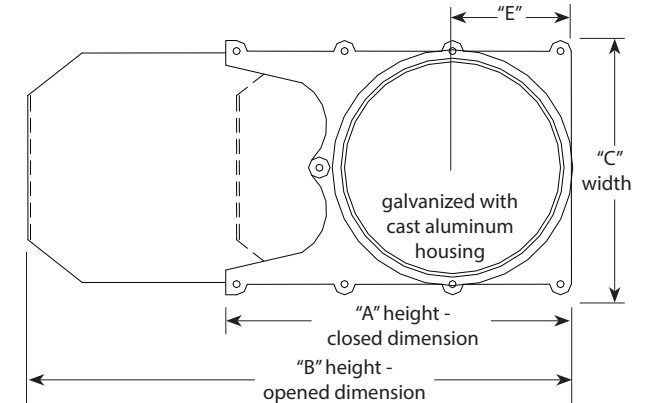
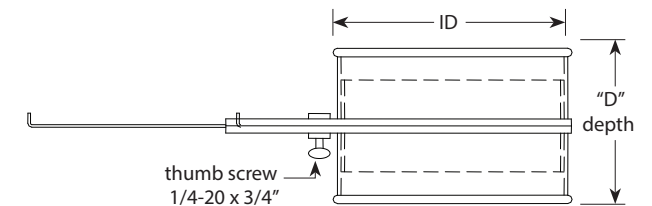
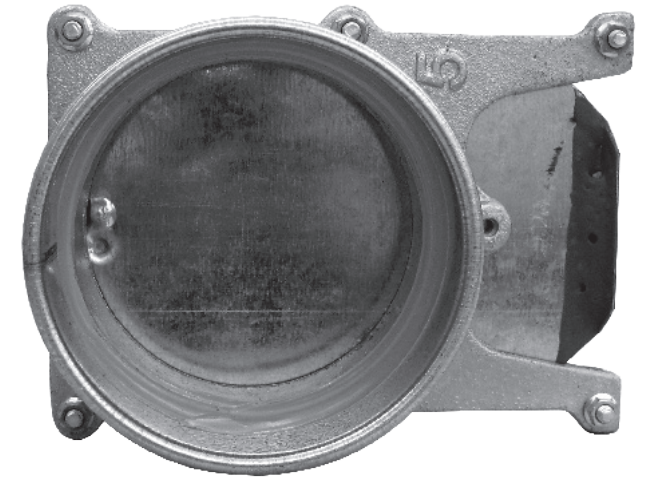
| ID In. | Ends | "A" Height Closed (in.) | "B" Height Opened (in.) | Galvanized Steel Collars/ Aluminum Body |                 |           | Galvanized Steel Collars Only |      |          |      |
|--------|------|-------------------------|-------------------------|---|-----------------|-----------|-------------------------------|------|----------|------|
|        |      |                         |                         | "C" Width (in.)                         | "D" Depth (in.) | "E" (in.) | 22ga                          | 20ga | 18ga     | 16ga |
| 3      | QF   | 7.50                    | 8.50                    | 4.25                                    | 5.38            | 1.63      | Std                           |      | Optional |      |
| 4      | QF   | 6.75                    | 9.75                    | 5.13                                    | 5.50            | 2.25      |                               |      |          |      |
| 5      | QF   | 8.00                    | 11.75                   | 5.88                                    | 5.63            | 2.63      |                               |      |          |      |
| 6      | QF   | 10.00                   | 14.50                   | 7.00                                    | 5.75            | 3.00      |                               |      |          |      |
| 7      | QF   | 11.13                   | 15.25                   | 8.00                                    | 5.50            | 3.75      |                               |      |          |      |
| 8      | QF   | 12.00                   | 12.00                   | 9.25                                    | 5.50            | 4.25      |                               |      |          |      |
| 9      | QF   | 13.38                   | 13.38                   | 10.50                                   | 5.50            | 5.13      |                               |      |          |      |
| 10     | QF   | 14.50                   | 23.38                   | 11.25                                   | 5.50            | 5.25      |                               |      |          |      |
| 11     | QF   | 15.25                   | 25.50                   | 12.25                                   | 5.50            | 6.00      |                               |      |          |      |
| 12     | QF   | 16.25                   | 27.50                   | 13.25                                   | 5.00            | 6.88      |                               |      |          |      |
| 14     | QF   | 18.63                   | 30.50                   | 15.50                                   | 5.00            | 7.63      | Std                           |      | Optional |      |
| 16     | QF   | 28.50                   | 43.50                   | 18.00                                   | 11.25           | 8.88      |                               |      |          |      |
| 18     | QF   | 32.50                   | 32.50                   | 20.00                                   | 11.25           | 9.88      |                               |      |          |      |
| 20     | QF   | 33.88                   | 33.88                   | 22.25                                   | 11.25           | 10.50     |                               |      |          |      |
| 22     | QF   | 33.50                   | 33.50                   | 24.25                                   | 11.25           | 11.13     |                               |      |          |      |
| 24     | QF   | 33.38                   | 33.38                   | 26.25                                   | 11.25           | 12.25     |                               |      |          |      |
| 26     | AF   | 47.50                   | 70.50                   | 29.25                                   | 11.25           | 13.25     |                               |      |          |      |
| 28     | AF   | 47.50                   | 73.50                   | 30.25                                   | 11.25           | 14.25     |                               |      |          |      |
| 30     | AF   | 55.75                   | 82.75                   | 33.25                                   | 11.25           | 15.25     |                               |      |          |      |

Ends: QF = Quick Fit Rolled Edges | AF = Angle Flange

### Construction

**Collars:** Attached to the exterior to each side of the **cast aluminum body**. 16" and larger diameter blast gates have riveted-on collars.

Ends: Standard QF end can be changed to Raw ID (RAWID), Raw OD (RAWOD), No Fitting (NF), Hose Adapter (RAWFLEX), Flat Flange (FFL), Angle Flange (ANGFL), or Van Stone (VANSTONE).



# Manual Blast Gate, Galvanized Steel 3240

| Temperature Rating of Product Components |                      |                                   |                                      |  |   |
|--|----------------------|-----------------------------------|--------------------------------------|--|---|
| ° F                                      | QF Manual Blast Gate | Sealants                          |                                      |  |   |
| 500°                                     | Galvanized Steel     | 3M Scotch Seal Metal Sealant 2084 | 3M Polyurethane Adhesive Sealant 560 | Optional - Rock River Silicone Sealant | Optional - Red Devil HVAC/R High Temperature Silicone Sealant |
| 400°                                     |                      |                                   |                                      |  |   |
| 390°                                     |                      |                                   |                                      |  |   |
| 250°                                     |                      |                                   |                                      |  |   |
| 194°                                     |                      |                                   |                                      |  |   |
| 0°                                       |                      |                                   |                                      |  |   |
| -40°                                     |                      |                                   |                                      |  |   |
| -60°                                     |                      |                                   |                                      |  | Optional - Epoxy - 3M DP 125 Gray Sealant                     |

**Additional Notes**

At temperatures ranging between 390° F and 480° F, the zinc-iron alloy layers in galvanized steel will continue to provide a high level of protection from corrosion. However, there may be some peeling, changes in mechanical properties, and reduction in the corrosion protection. Recommended max. service temperature is 390° F.

Rock River Silicone Sealant and Red Devil HVAC/R High Temperature Silicone Sealant are not paintable

| Compliance / Rating of Product Components |               |   |
|---|---------------|---|
| Product                                   | Material      | Compliance / Rating   |
| QF Manual Blast Gate                      | Galvanized    | ASTM A653 with a G-90 rating  |
|   | 304SS         | Finish meets ASTM A240  |
|   | 316SS         | Finish meets ASTM A240  |
| 3M Scotch Seal Metal Sealant 2084         | Acetone blend | AAMA Specification 801.1  |
| 3M Polyurethane Sealant 560               | Polyurethane  | ASTM E 162, ASTM E 662, Bombardier SP 800-C   |
| Rock River Sealant                        | 100% Silicone | ASTM C920 Class 25, TT-S-00230C Class A and TT-S-001543A, FDA No 421 CFR 117.2600, conforms to FDA requirements                             |
| Red Devil HVAC/R High Temperature Sealant | Silicone      | ASTM C920 Class 25, TT-S-00230C Class A and TT-S-001543A, CEBTP 432.6 140-2, Mil Spec 46106A, CGSB 19C9-9B, DIN 18540 Part 2, OREX 150031-2 |