

QF Floor Sweep 3248

Size (ID) In.	Rolled Edge (nom. in.)	Std Weight Lbs	Galv Steel	304SS (or 316SS)
			20ga	20ga
3	0.2	5.80	Std	Optional
4	0.2	6.90		
5	0.2	7.30		
6	0.2	7.55		
7	0.3	7.75		
8	0.3	8.25		
9	0.3	9.50		
10	0.3	11.75		
11	0.3	13.20		
12	0.4	15.70		

Construction

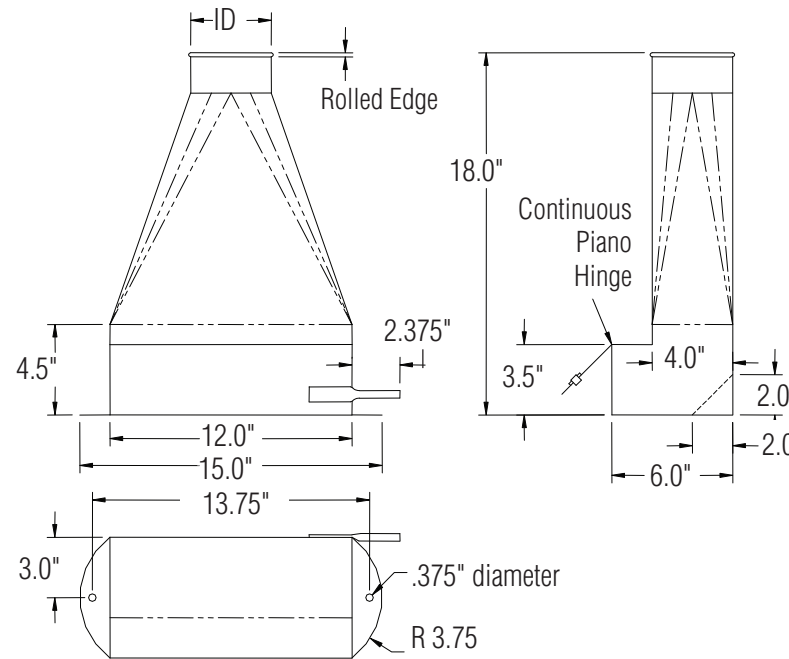
Body: lapped, spot welded and caulked.

Collar: has a laser welded longitudinal seam. Collar is attached to the body using a raised hemmed, spot welded seamed construction and are caulked.

Door: 16ga.

Ends: Standard QF end can be changed to Raw ID (RAWID), Raw OD (RAWOD), No Fitting (NF), Hose Adapter (RAWFLEX), Flat Flange (FFL), Angle Flange (ANGFL), or Van Stone (VANSTONE).

NOTE: Reference Nordfab's QF Machine Adapter Technical Data sheet for actual ID and OD dimensions of collar.



QF Floor Sweep 3248

Temperature Rating of Product Components						
° F	QF Floor Sweep		Sealants			
1100°	Galvanized Steel	Optional - 304SS	3M Scotch Seal Metal Sealant 2084	Optional - 3M Polyurethane Adhesive Sealant 560	Optional - Rock River Silicone Sealant	Optional - Red Devil HVAC/R High Temperature Silicone Sealant
500°						
390°						
250°						
194°						
0°						
-40°						
-60°						
						Optional - Epoxy - 3M DP 125 Gray Sealant

Additional Notes
At temperatures ranging between 390° F and 480° F, the zinc-iron alloy layers in galvanized steel will continue to provide a high level of protection from corrosion. However, there may be some peeling, changes in mechanical properties, and reduction in the corrosion protection. Recommended max. service temperature is 390° F.
Rock River Silicone Sealant and Red Devil HVAC/R High Temperature Silicone Sealant are not paintable
304SS: bluing may occur at 800° F and above

Compliance / Rating of Product Components		
Product	Material	Compliance / Rating
QF Floor Sweep	Galvanized	ASTM A653 with a G-90 rating
	304SS	Finish meets ASTM A240
	316SS	Finish meets ASTM A240
3M Scotch Seal Metal Sealant 2084	Acetone blend	AAMA Specification 801.1
3M Polyurethane Sealant 560	Polyurethane	ASTM E 162, ASTM E 662, Bombardier SP 800-C
Rock River Sealant	100% Silicone	ASTM C920 Class 25, TT-S-00230C Class A and TT-S-001543A, FDA No 421 CFR 117.2600, conforms to FDA requirements
Red Devil HVAC/R High Temperature Sealant	Silicone	ASTM C920 Class 25, TT-S-00230C Class A and TT-S-001543A, CEBTP 432.6 140-2, Mil Spec 46106A, CGSB 19C9-9B, DIN 18540 Part 2, OREX 150031-2