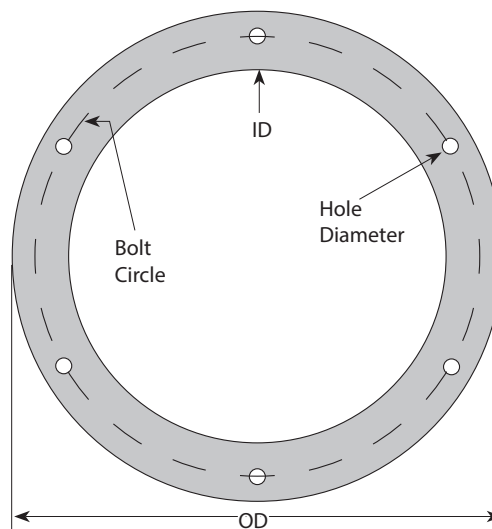


# Angle Flange Gasket 3263

Size In.	ID In.	OD In.	Thickness		No. of holes	Hole Dia. In.	Bolt Circle In.
			Nitrile	Silicone			
3	3.06	5.06	.1875	.125	6	9/32	4.31
4	4.06	6.06			6	9/32	5.31
5	5.06	7.06			6	9/32	6.31
6	6.09	8.59			6	9/32	7.31
7	7.13	9.63			6	3/8	8.50
8	8.13	10.63			6	3/8	9.56
9	9.13	11.63			6	7/16	10.63
10	10.13	12.63			6	7/16	11.81
11	11.13	13.63			6	7/16	12.75
12	12.13	15.13			8	7/16	14.00
13	13.13	16.13			8	7/16	15.00
14	14.13	17.13			8	7/16	16.00
15	15.13	18.13			8	7/16	17.00
16	16.13	19.13			8	7/16	18.00
17	17.13	20.13			8	7/16	19.00
18	18.13	21.13			8	7/16	20.00
19	19.13	22.13			12	7/16	20.75
20	20.13	23.13			12	7/16	21.75
21	21.13	24.13			12	7/16	22.75
22	22.13	25.13			12	7/16	23.75
23	23.13	26.13			12	7/16	24.88
24	24.13	27.13			12	7/16	25.88
25	25.13	28.13			16	7/16	26.88
26	26.13	30.13			16	7/16	28.38
27	27.13	31.13			16	7/16	29.38
28	28.13	32.13			16	7/16	30.38
29	29.13	33.13			16	7/16	31.38
30	30.13	34.13			16	7/16	32.38
31	31.13	35.13			16	7/16	33.38
32	32.13	36.13			16	7/16	34.38
33	33.13	37.13			16	7/16	35.38
34	34.13	38.13			16	7/16	36.38
35	35.13	39.13			16	7/16	37.38
36	36.13	40.13			16	7/16	38.38
37	37.13	41.13			24	7/16	39.38
38	38.13	42.13			24	7/16	40.38
39	39.13	43.13			24	7/16	41.38
40	40.13	44.13			24	7/16	42.38



**Note:**  
Angle flange gaskets are only available with the shown hole patterns.

Temperature Rating of Product Component		
° F	Angle Flange Gasket	
450°	Nitrile	Silicone
250°		
0°		
-20°		
-65°		

Additional Notes
<b>Nitrile</b> <ul style="list-style-type: none"> <li>Tensile PSI: 900</li> <li>Elongation, %: 200</li> </ul>
<b>Silicone</b> <ul style="list-style-type: none"> <li>Tensile PSI: 725</li> <li>Elongation, %: 250</li> </ul>

Compliance / Rating of Product Components		
Product	Material	Compliance / Rating
Angle Flange Gasket	Nitrile (Buna-N)	ASTM D 2000 1BF 609, SAE J200 1 BF 609
	Silicone	ASTM-D-2000 M1GE605 – ZZ-R-765 Class 2 Grade 50 – AMS-3302

