

QF Mist Recycler 3192

Size In.	ID In.	OD In.	Rolled Edge (nom. in.)	A In.	B In.	Baffle Size In.	Std Weight Lbs	Galv. Steel		304SS (or 316SS)	
								22ga	20ga	22ga	20ga
3	3.00	3.06	0.2	14	18	10 x 14	11.10	Std	Optional	Std	Optional
4	3.86	3.93	0.2	14	18	10 x 14	11.25				
5	4.87	4.94	0.2	14	18	10 x 14	11.45				
6	5.89	5.96	0.2	14	18	10 x 14	11.60				
7	6.89	6.96	0.3	20	24	16 x 20	22.70				
8	7.88	7.95	0.3	20	24	16 x 20	22.85				
9	8.88	8.95	0.3	20	24	16 x 20	23.10				
10	9.89	9.95	0.3	20	24	16 x 20	23.30				
12	11.97	12.04	0.4	20	28	20 x 20	32.85				



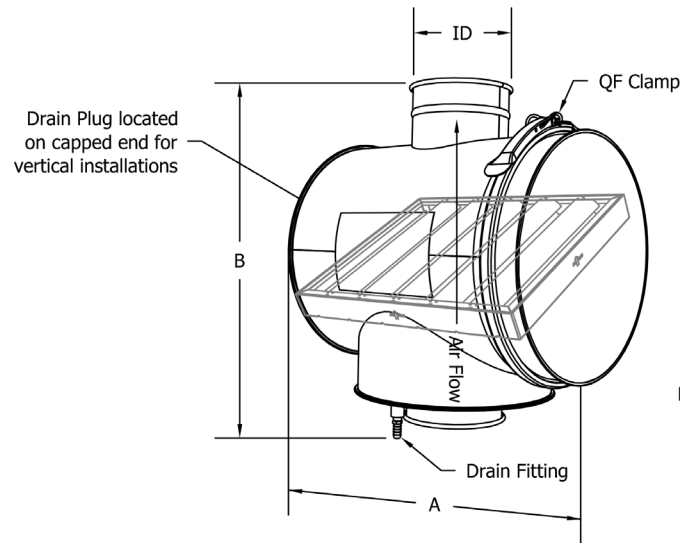
5' clear hose and hose clamp provided for drain tap.

Construction

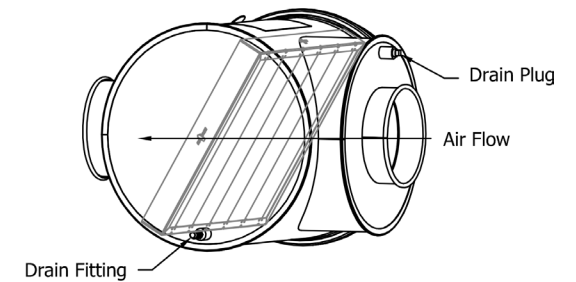
Constructed of 22ga thick Galvanized or SS, with lapped, spot welded, and epoxy caulked seams. The main body of the unit includes an end cap, clamp, and molded gasket for internal access and maintenance. Product can be mounted in vertical or horizontal applications and includes 5' of clear PVC tubing and hose clamp for the drain fitting.

Notes: Standard QF end can be changed to Raw ID (RAWID), Raw OD (RAWOD), No Fitting (NF), Hose Adapter (RAWFLEX), Flat Flange (FFL), Angle Flange (ANGFL).

Reference Nordfab's QF Machine Adapter Technical Data sheet for actual ID and OD dimensions.



Vertical Installation



Horizontal Installation

Temperature Rating of Product Components					
° F	QF Mist Recycler		Molded Gasket	Clamp Gasket	Sealants
158°	Galvanized Steel	Optional - 304SS	Nordfab Leak-free Gasket	Nordfab Nitrile Clamp Gasket	Epoxy - 3M DP 125 Gray Sealant
0°					
-60°					

Compliance / Rating of Product Components		
Product	Material	Compliance / Rating
QF Mist Recycler	Galvanized	ASTM A653 with a G-90 rating
	304SS	Finish meets ASTM A240
	316SS	Finish meets ASTM A240

Additional Notes

At temperatures ranging between 390° F and 480° F, the zinc-iron alloy layers in galvanized steel will continue to provide a high level of protection from corrosion. However, there may be some peeling, changes in mechanical properties, and reduction in the corrosion protection. Recommended max. service temperature is 390° F.

304SS:

- bluing may occur at 800° F and above

Additional Product Components and Notes

Molded gasket	Performs well in many oil, water, and hydraulic fluid applications. Should not be used with solvents such as acetone, MEK, ozone, chlorinated hydrocarbons, and nitro hydrocarbons. Replacement Part Nos. 3190-0400 thru 3190-1200			
Internal Baffle	Replacement Part No.	Description	Replacement Part No.	Description
	3192-0000-BAF003	10" x 14" Baffle (3" to 6" Galvanized)	3192-0000-BAF203	10" x 14" Baffle (3" – 6" SS 304)
	3192-0000-BAF001	16" x 20" Baffle (7" to 10" Galvanized)	3192-0000-BAF201	16" x 20" Baffle (7" – 10" SS 304)
	3192-0000-BAF002	20" x 20" Baffle (12" Galvanized)	3192-0000-BAF202	20" x 20" Baffle (12" SS 304)
Drain Fittings	Replacement Part No.	Description		
	3192-0000-NIPP01	1/2" Barb 1/4" NPT, brass construction (Galvanized)		
	3192-0000-NIPP02	1/2" Barb 1/4" NPT, SS 304 construction (SS304)		