

SD Automatic Diverter Valve 3234

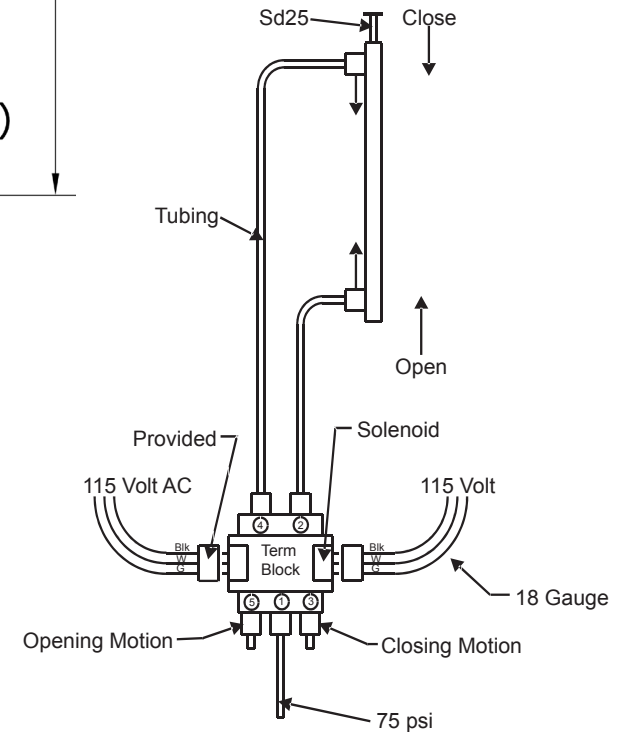
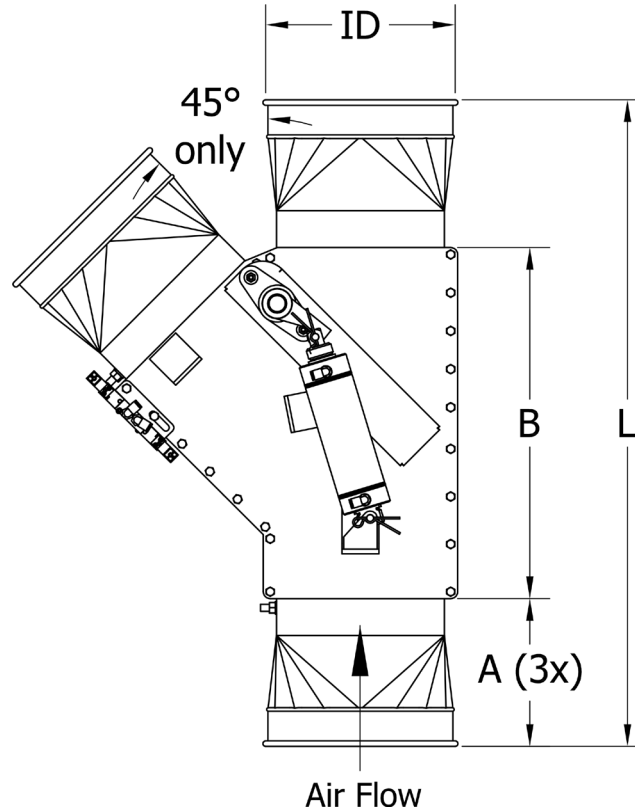
ID In.	"A" (in.)	"B" (in.)	L (in.)	Housing Galvanized	Housing 304SS
				14ga	14ga
3	6	15	30	Std	Std
4	6	15	30		
5	6	15	30		
6	6	14	29		
7	6	14	29		
8	6	16	28		
9	8	16	32		
10	8	19	35		
11	8	19	35		
12	8	23	39		
13	8	23	39		

Construction:

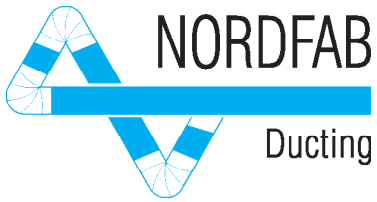
Constructed of heavy 14ga thick galvanized or SS, with bolted seams. Supplied with heavy duty flange bearings and rubber seal in 14ga steel door. Rubber seal is 1/4" thick polymer compound #AB-3205.

Ends: Standard QF end can be changed to Raw ID (RAWID), Raw OD (RAWOD), No Fitting (NF), Hose Adapter (RAWFLEX), Flat Flange (FFL), Angle Flange (ANGFL), or Van Stone (VANSTONE).

Airflow: Can be reversed in fabrication upon request.



NOTE: 6.9va Coil



SD Automatic Diverter Valve 3234

TECHNICAL
DATA

Temperature Rating of Product Components					Additional Notes	Compliance / Rating of Product Components		
° F	SD Auto Diverter Valve	Rubber	Sealant		<p>At temperatures ranging between 390° F and 480° F, the zinc-iron alloy layers in galvanized steel will continue to provide a high level of protection from corrosion. However, there may be some peeling, changes in mechanical properties, and reduction in the corrosion protection. Recommended max. service temperature is 390° F.</p> <p>304SS: bluing may occur at 800° F and above</p>	Product	Material	Compliance / Rating
1100°						<p>SD Automatic Diverter Valve</p>	Galvanized	ASTM A653 with a G-90 rating
500°	Galvanized Steel	Optional - 304SS	Polymer SBR/CR	<p>Optional - 3M Polyurethane Adhesive Sealant 560</p> <p>Epoxy - 3M DP 125 194° Gray Sealant</p>			304SS	Finish meets ASTM A240
390°							316SS	Finish meets ASTM A240
212°								
194°								
-82°								
					3M Polyurethane Sealant 560	Polyurethane	ASTM E 162, ASTM E 662, Bombardier SP 800-C	

Additional Product Components and Notes					
Poly tube	0.25" OD x 0.04 wall polyethylene tube, 120 PSI, Grade E5 LIP, Type 1				
Roller Bearing	Diverter Valve Size	Mfr. Part No. (Powerite)			
	4" - 6"	UCFL 204-12			
	7" - 16"	UCFL 205-16			
Magnetic Cylinder	Diverter Valve Size	Replacement Part No.	Stroke	No. of Cylinders	Bore
	3" - 8"	3203-0000-CY040M	2.25 x 4.00	1	2.5"
	9" - 12"	3203-0000-CY060M	2.25 x 6.00		
	13" - 16"	3203-0000-CY080M	2.25 x 8.00		
17" - 24"	3203-0000-CY100M	2.25 x 10.00			
Double Solenoid	Replacement Part No.	Description		<p>P/N SY5220-5D-0IT 24VDC, .35 watts</p> <p>P/N SY5220-3D-0IT 120 VAC, .86 watts</p> <ul style="list-style-type: none"> • 0.8Cv flow characteristics constant pressure 	
	3245-SOLE-SMC005	2 position, 110VAC, 1/8" NPT			
	3245-SOLE-SMC006	2 position, 24VDC, 1/8" NPT			
Coil	Replacement Part No.	Description			
	3245-COIL-024DCC	24VDC			
	3245-COIL-024ACC	24VAC			
	3245-COIL-024ACC	12VDC			
	3245-COIL-024ACC	240VAX			
	3245-COIL-024ACC	110VAC			
Optional - Reed Switch Assembly	Replacement Part No.	Description			
	3203-0000-RSW250	Assembly includes D-B54 switch and 2.50" band			

