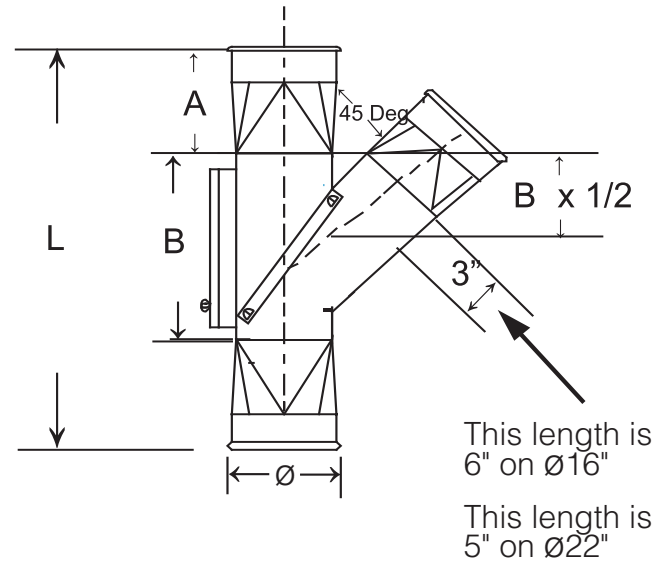


Manual Diverter Valve 3235

Size ø In.	A (in.)	B (in.)	D (in.)	L (in.)	Housing Black Metal	Housing 304SS
					3/16" thick	3/16" thick
3	6	14	3	26	Std	Optional
4	6	14	4	26		
5	6	15.25	5	27.25		
6	6	16	6	28		
7	6	16	7	28		
8	6	17	8	29		
9	8	18	9	34		
10	8	20	10	36		
11	8	20	11	36		
12	8	24	12	40		
13	8	24	13	40		
14	8	28	14	44		
15	8	28	15	44		
16	8	32	16	48		
17	8	32	17	48		
18	8	36	18	52		
20	10	40	20	60		
22	10	41.25	22	61.25		
24	10	48	2	68		



Construction

Constructed of heavy 3/16" thick, painted metal, with welded seams. Supplied with heavy duty flange bearings and rubber seal in 14ga steel door. Rubber seal is 1/4" thick polymer compound #AB-3205.

Airflow: Can be reversed in fabrication upon request.

Manual Diverter Valve 3235

Temperature Rating of Product Components						
° F	QF Manual Diverter Valve		Sealants			
2600°	Black Metal	Stainless Steel				
1100°						
500°						
250°						
194°			3M Scotch Seal Metal Sealant 2084	Optional - Rock River Silicone Sealant	Optional - Red Devil HVAC/R High Temperature Silicone Sealant	Optional - Epoxy - 3M DP 125 Gray Sealant
0°						
-40°						
-60°						

Additional Notes
Rock River Silicone Sealant and Red Devil HVAC/R High Temperature Silicone Sealant are not paintable
304SS: bluing may occur at 800° F and above

Compliance / Rating of Product Components		
Product	Material	Compliance / Rating
QF Manual Diverter Valve	Black Metal	ASTM A36
	304SS	Finish meets ASTM A240
	316SS	Finish meets ASTM A240
3M Scotch Seal Metal Sealant 2084	Acetone blend	AAMA Specification 801.1
Rock River Sealant	100% Silicone	ASTM C920 Class 25, TT-S-00230C Class A and TT-S-001543A, FDA No 421 CFR 117.2600, conforms to FDA requirements
Red Devil HVAC/R High Temperature Sealant	Silicone	ASTM C920 Class 25, TT-S-00230C Class A and TT-S-001543A, CEBTP 432.6 140-2, Mil Spec 46106A, CGSB 19C9-9B, DIN 18540 Part 2, OREX 150031-2