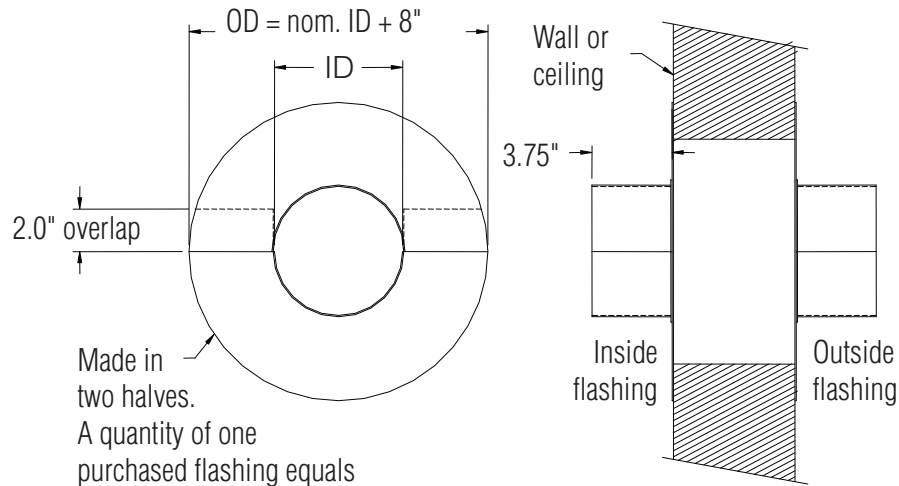


# Wall Flashing 3238

Size (ID) In.	Std Weight Lbs	20ga	304SS 20ga
		Std	Optional
3	0.45		
4	0.62		
5	0.84		
6	1.12		
7	1.35		
8	1.63		
9	1.94		
10	2.26		
11	2.47		
12	2.97		
13	3.30		
14	4.41		
15	5.10		
16	5.60		
17	6.10		
18	6.74		
19	7.25		
20	7.68		
21	8.13		
22	8.94		
23	9.20		
24	11.25		



Made in two halves.  
A quantity of one purchased flashing equals four halves, two halves for inside and two halves for outside.



**Notes:**

Ordering one Wall Flashing provides you with both an inside and an outside flashing, total four halves. Flashing can be ordered with Raw collar with or without lip.

# Wall Flashing 3238

Temperature Rating of Product Components							
° F	QF Wall Flashing		Sealants				
1100°	Galvanized Steel	Optional - 304SS	3M Scotch Seal Metal Sealant 2084	Optional - 3M Polyurethane Adhesive Sealant 560	Optional - Rock River Silicone Sealant	Optional - Red Devil HVAC/R High Temperature Silicone Sealant	
500°							
390°							
250°							
194°							
0°							Optional - Epoxy - 3M DP 125 Gray Sealant
-40°							
-60°							

Additional Notes
At temperatures ranging between 390° F and 480° F, the zinc-iron alloy layers in galvanized steel will continue to provide a high level of protection from corrosion. However, there may be some peeling, changes in mechanical properties, and reduction in the corrosion protection. Recommended max. service temperature is 390° F.
<b>Optional</b> - Seams can be solid welded
Rock River Silicone Sealant and Red Devil HVAC/R High Temperature Silicone Sealant are not paintable
304SS: bluing may occur at 800° F and above

Compliance / Rating of Product Components		
Product	Material	Compliance / Rating
QF Wall Flashing	Galvanized	ASTM A653 with a G-90 rating
	304SS	Finish meets ASTM A240
	316SS	Finish meets ASTM A240
3M Scotch Seal Metal Sealant 2084	Acetone blend	AAMA Specification 801.1
3M Polyurethane Sealant 560	Polyurethane	ASTM E 162, ASTM E 662, Bombardier SP 800-C
Rock River Sealant	100% Silicone	ASTM C920 Class 25, TT-S-00230C Class A and TT-S-001543A, FDA No 421 CFR 117.2600, conforms to FDA requirements
Red Devil HVAC/R High Temperature Sealant	Silicone	ASTM C920 Class 25, TT-S-00230C Class A and TT-S-001543A, CEBTP 432.6 140-2, Mil Spec 46106A, CGSB 19C9-9B, DIN 18540 Part 2, OREX 150031-2